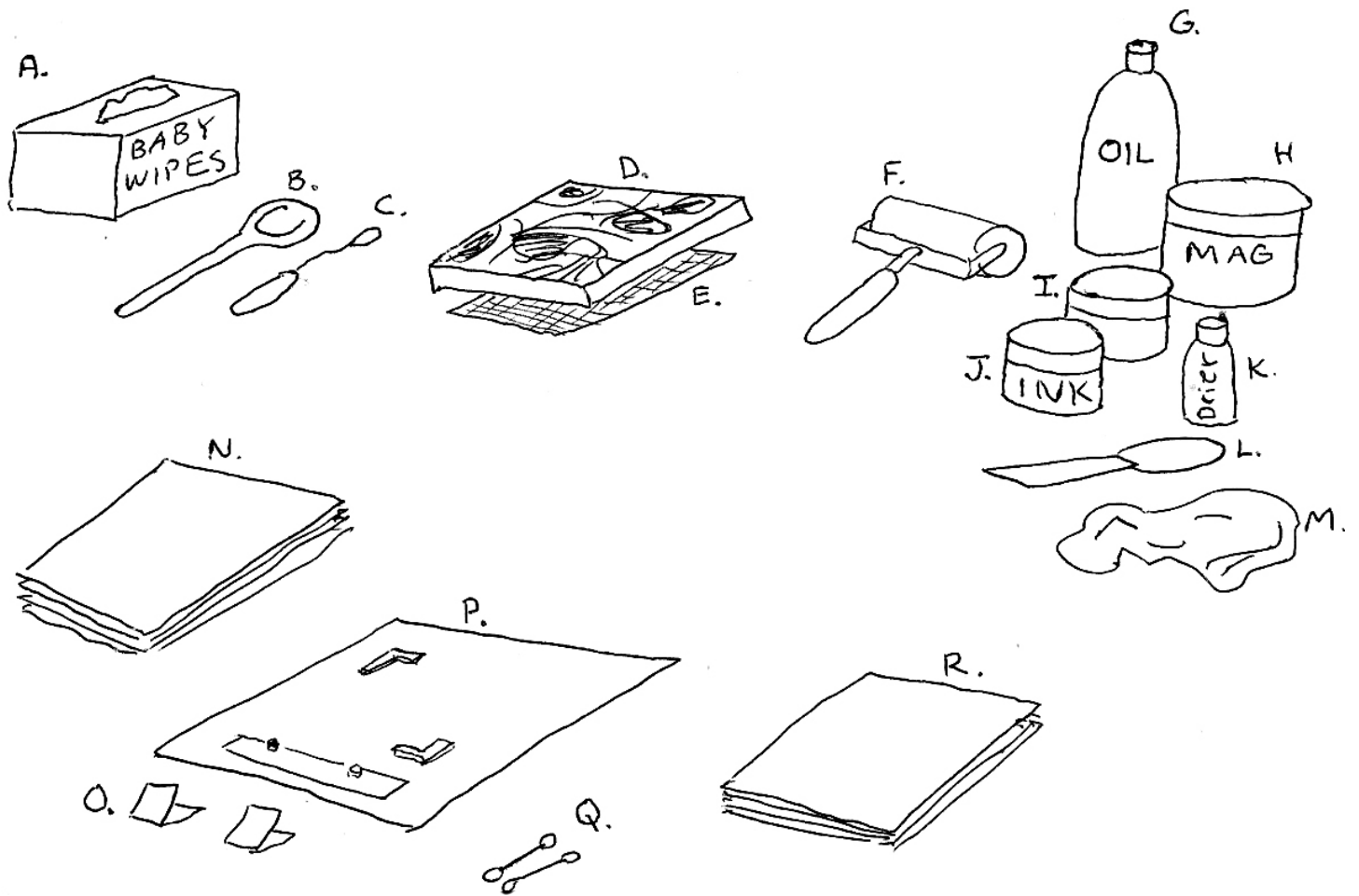


SETTING UP TO PRINT

James Bailey



A. Baby wipes for clean-up

B. Wooden spoon for burnishing

C. Palette knife

D. Relief block

E. Wet paper towel for under block when rolling up.

F. Brayer

G. Vegetable oil for clean up

H. Magnesium carbonate

I. Setswell compound

J. Ink

K. Colbalt Drier

L. Ink knife

M. Shop rag

N. Newsprint

O. Paper fingers

P. Registration guide

Q. Q-tips

R. Editing paper